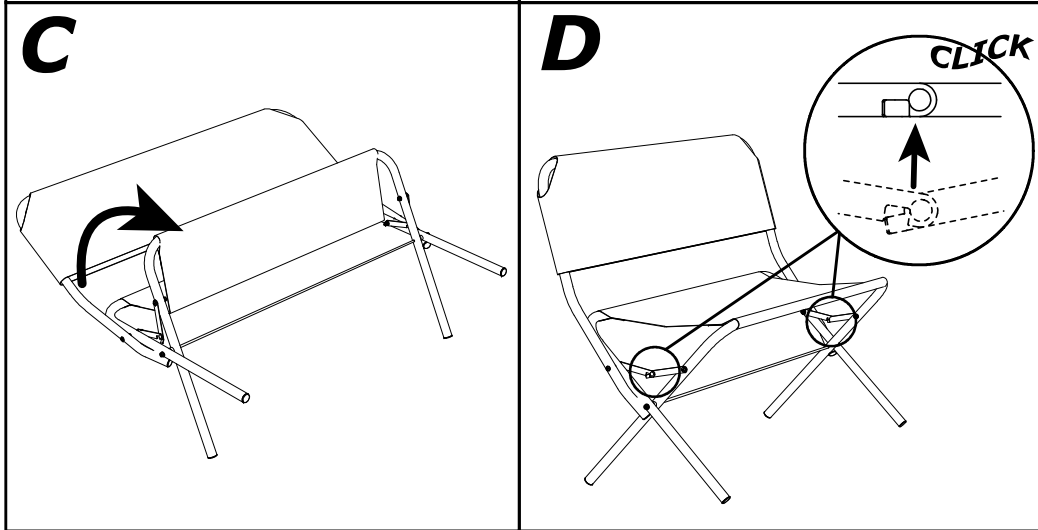
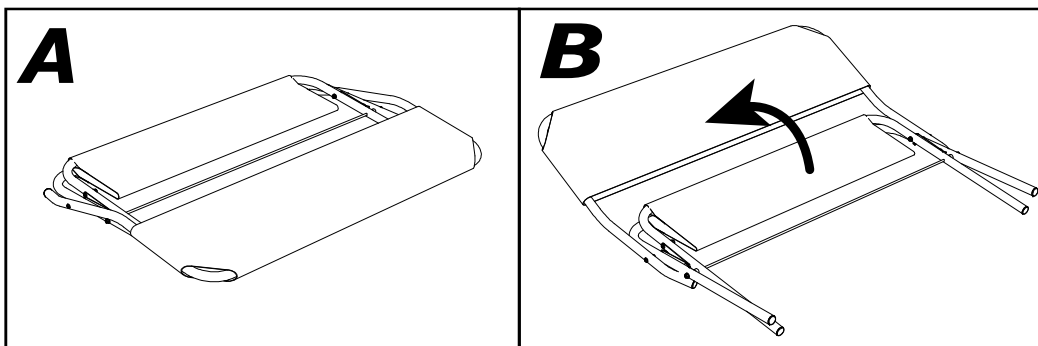
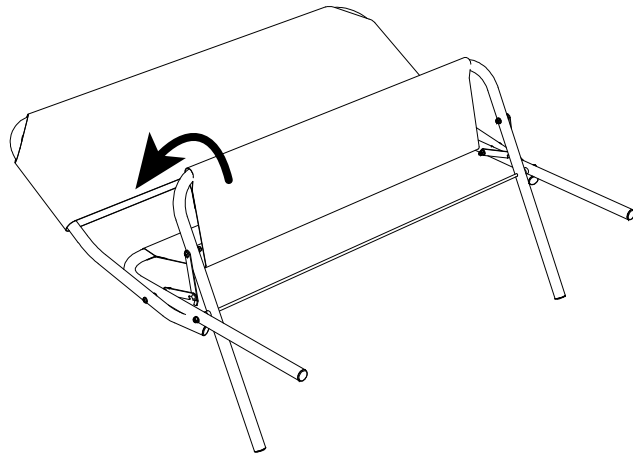
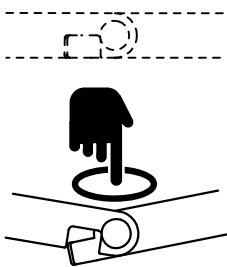


LOGOBENCH THE ORIGINAL EN



FOLDING:



IMPORTANT: KEEP THESE INSTRUCTIONS IN A SAFE PLACE FOR FUTURE REFERENCE. PLEASE READ CAREFULLY.

The LOGOBENCH is DIN EN581 certified and is approved for the contract sector. We accept no liability for damages of any kind incurred by the customer through excess load or inappropriate handling.

Permanent contact with water can cause rust. Do not use any abrasive detergents for cleaning. Do not use any polishes, waxes, furniture plasters, bleaches, or detergents containing acids or salts.

